

Codonics SLS 500i Wired Hand Scanner

Overview

The Codonics Safe Label System™ SLS 500i™ supports the use of a Motorola® DS4208-HC barcode scanner as a wired hand scanner for scanning labels on containers that are large or not easily scanned by 500i (for example, IV bags).

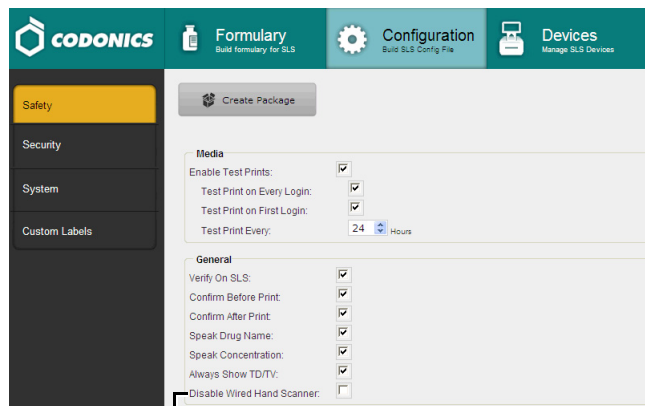
When using the wired hand scanner with 500i, the scanner must be in SNAPI mode (SNAPI is the scanner's communication interface). By default, the scanner is shipped in SNAPI mode.

NOTE: The use of the wired hand scanner requires a feature key on 500i. Contact your Codonics Sales Representative to obtain the proper key.

NOTE: It is recommended that you purchase the DS4208-HC scanner from Codonics. A standard DS4208-HC scanner will not provide the same performance as a DS4208-HC scanner from Codonics, which includes custom firmware.

Enabling the Use of a Wired Hand Scanner in the SLS Configuration Package

To enable the use of a wired hand scanner with 500i, the Disable Wired Hand Scanner option on the Safety tab of the Administration Tool's Configuration Manager section must be deselected in the SLS configuration package, as shown in the following figure.



Disable Wired Hand Scanner option

Connecting the Wired Hand Scanner to 500i

WARNING: The use of the wired hand scanner with 500i can create a tipping hazard. Secure 500i using the VESA mount points on the bottom of 500i.

NOTE: It is recommended that you connect the wired hand scanner to 500i prior to starting up or logging into 500i.

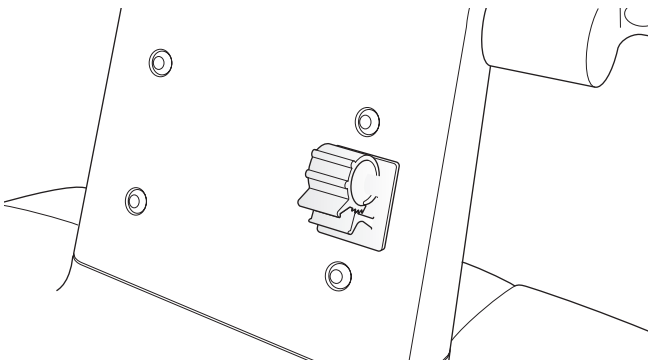
Included with the DS4208-HC barcode scanner are the following components:

- ◆ **A wired hand scanner USB cable.** This cable includes an RJ-45 connector that connects to the scanner and a standard USB connector that connects to the USB extension cable.
- ◆ **A USB extension cable.** This cable provides a safe disconnect to reduce the risk of damage to 500i when the wired hand scanner USB cable is pulled tight. The cable has an angled male connector for connection to the touch screen USB port 1 and a female connector for accepting the wired hand scanner USB cable connector. A tie wrap is attached to the cable near the female connector to ensure that the cable cannot slide in the cable clip.
- ◆ **A cable clip.** This clip is used to secure the USB extension cable to the back of the display stalk.

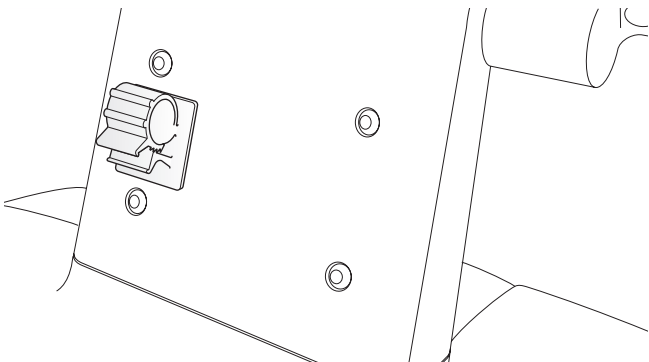
To connect the wired hand scanner to 500i:

1. Make sure that 500i is powered off.
2. Clean and disinfect the wired hand scanner. Refer to "Cleaning and Disinfecting the Wired Hand Scanner" later in this Technical Brief.
3. Clean the back of the display stalk and let it dry.
4. Attach the cable clip to the back of the display stalk.

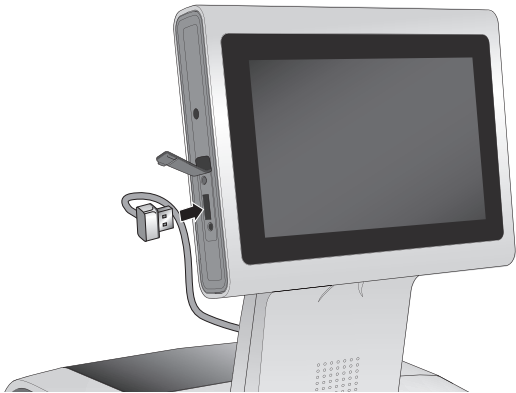
If the 500i shelf is on the **right side of the medical cart**, attach the cable clip between the two screws on the right side of the display stalk, as shown in the following figure.



If the 500i shelf is on the **left side of the medical cart**, attach the cable clip between the two screws on the left side of the display stalk, as shown in the following figure.



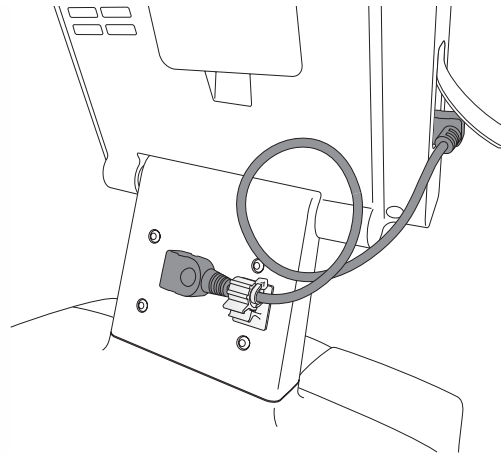
5. Insert the USB extension cable's angled connector into the touch screen USB port 1, as shown in the following figure.



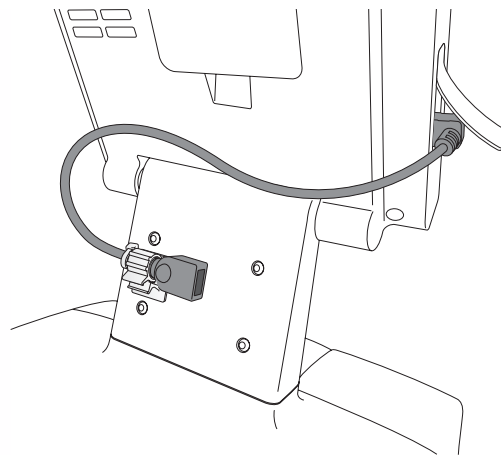
6. Attach the USB extension cable to the clip:
 - a. Depending on which side of the medical cart the 500i shelf is, loop the cable as shown in the figures in the next column.
 - b. Pull up on the top tab of the cable clip.

- c. Insert the cable into the clip.
- d. Pull down on the bottom tab and push down on the top tab until you hear the top tab click into the bottom tab. Continue pushing the top tab until the cable is snug in the cable clip.

The following two figures show the USB extension cable attached for both orientations of the 500i shelf.



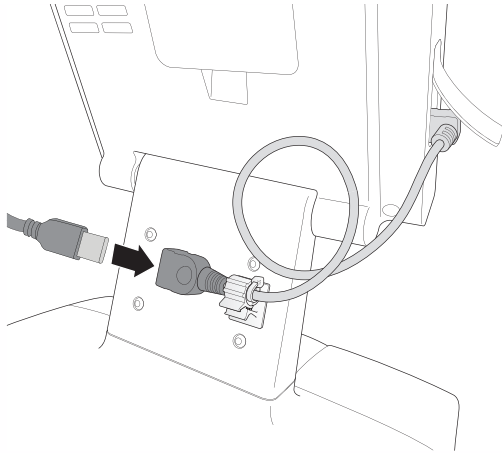
USB Extension Cable Attached with 500i Shelf on Right Side of Medical Cart



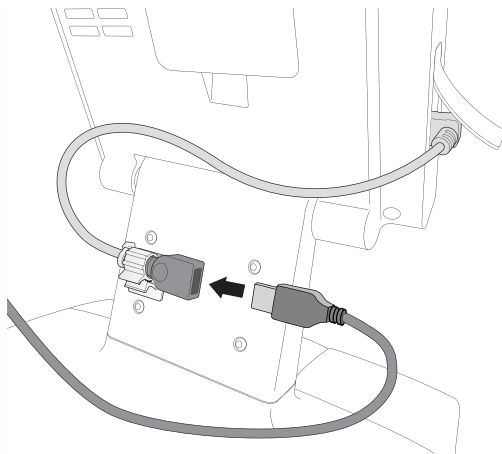
USB Extension Cable Attached with 500i Shelf on Left Side of Medical Cart

7. Connect the RJ-45 connector of the wired hand scanner USB cable to the wired hand scanner:
 - a. Push the RJ-45 connector into the wired hand scanner RJ-45 port until you hear it click.

- b. Gently pull the wired hand scanner USB cable to make sure that the RJ-45 connector is securely connected.
8. Connect the USB connector of the wired hand scanner USB cable to the USB extension cable female connector, as shown in the following two figures.

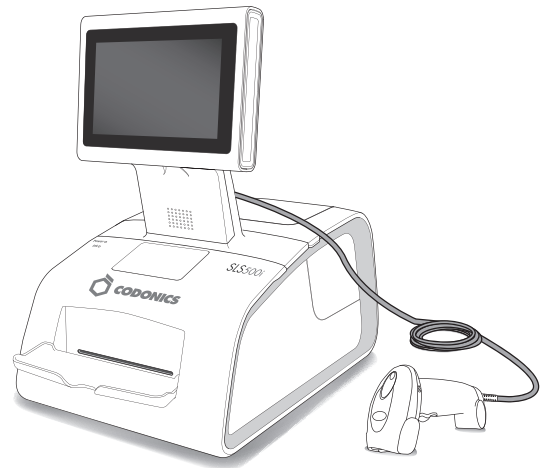


Inserting Wired Hand Scanner USB Cable with 500i Shelf on Right Side of Medical Cart



Inserting Wired Hand Scanner USB Cable with 500i Shelf on Left Side of Medical Cart

An example of the connected wired hand scanner is shown in the following figure.



Testing the Wired Hand Scanner Communication with 500i

After connecting the wired hand scanner and starting 500i, the following prompt displays:



Scan the barcode displayed in the prompt.

This will confirm that the wired hand scanner is communicating with 500i.

Configuring the DS4208-HC Scanner for 500i

By default, the DS4208-HC scanner is configured to work with 500i. If you ever need to reconfigure the DS4208-HC scanner to work with 500i, scan the 2D barcode below.



After successfully scanning this barcode, you will hear an audible beep and then an audible sound that indicates that the DS4208-HC scanner is restarting.

Cleaning and Disinfecting the Wired Hand Scanner

Following are the cleaning and disinfecting instructions for the wired hand scanner in environments that require daily or more frequent cleaning to prevent the spread of germs.

To avoid long-term damage to the wired hand scanner, it is recommended that you disinfect it only when necessary as determined by your hospital's policy.

WARNING: Codonics makes no claims regarding the efficacy of the listed chemicals or methods as a means of controlling infection. Consult your hospital's infection control officer or epidemiologist.

Daily Cleaning and Disinfecting Instructions

WARNING: Always disconnect the wired hand scanner or power off 500i before cleaning it. An electrical shock could occur if 500i is powered on and liquid is spilled into the wired hand scanner or 500i.

1. Dampen a soft cloth with one of the approved cleaning or disinfecting agents listed in the SLS User's Manual or use pre-moistened wipes.
2. Gently wipe all surfaces, including the front, back, sides, top, and bottom of the wired hand scanner.

CAUTION: Never apply liquid directly to the wired hand scanner. Be careful not to let liquid pool around the scanner window, trigger, cable connector, or any other area on the wired hand scanner.

3. Clean the trigger and in between the trigger and the housing. Use a cotton-tipped applicator to reach tight or inaccessible areas.
4. Immediately dry the scanner window after cleaning it with a soft non-abrasive cloth to prevent streaking.
5. Allow the wired hand scanner to air dry before using it.

NOTE: If the temperature is low and the humidity is high, longer drying time is required. Warm temperatures and low humidity require less drying

Monthly Deep Cleaning and Disinfecting Instructions

Maintain the wired hand scanner in good working order with a regular comprehensive cleaning routine to remove the natural build-up of dirt that occurs with everyday use on connectors, scanner window, and housing surfaces.

- ◆ **Housing surfaces:** Follow the instructions in "Daily Cleaning and Disinfecting Instructions" in the previous column to perform a general cleaning of the housing surfaces.
- ◆ **Scanner window:** Wipe the scanner window with a lens tissue or other material suitable for cleaning optical material such as eyeglasses.
- ◆ **RJ-45 port:**
 - a. Dip the cotton portion of a cotton-tipped applicator in isopropyl alcohol.
 - b. Rub the cotton portion of the cotton-tipped applicator back-and-forth across the RJ-45 port. Do not leave any cotton residue on the port.
 - c. Repeat steps a and b at least three times.
 - d. Use the cotton-tipped applicator dipped in isopropyl alcohol to remove any grease and dirt near the connector area.
 - e. Use a dry cotton-tipped applicator (that is, with **no** isopropyl alcohol applied) to dry the RJ-45 port and the connector area.

Allow the wired hand scanner to air dry before using it.

NOTE: If the temperature is low and the humidity is high, longer drying time is required. Warm temperatures and low humidity require less drying

Technical Support

If problems occur when using the scanner with 500i, contact Codonics Technical Support.

Phone: +1.440.243.1198
Email: support@codonics.com
Website: www.codonics.com

Get it all with just one call
800.444.1198

All registered and unregistered trademarks are the property of their respective owners. Specifications subject to change without notice.

Copyright © 2012-2013 Codonics, Inc. Printed in the U.S.A. Part No. 901-260-002.02.



17991 Englewood Drive
Middleburg Heights, OH 44130
USA
+1.440.243.1198
+1.440.243.1334 Fax
Email info@codonics.com
www.codonics.com

Codonics Limited KK
New Shibaura Bldg. F1
1-3-11, Shibaura
Minato-ku, Tokyo, 105-0023
JAPAN
Phone: 81-3-5730-2297
Fax: 81-3-5730-2295